

IT-E151 RACK MOUNT KIT

IT-E151 is designed for use with the BK 178X series power supply, 8500 series electronic load instrument.

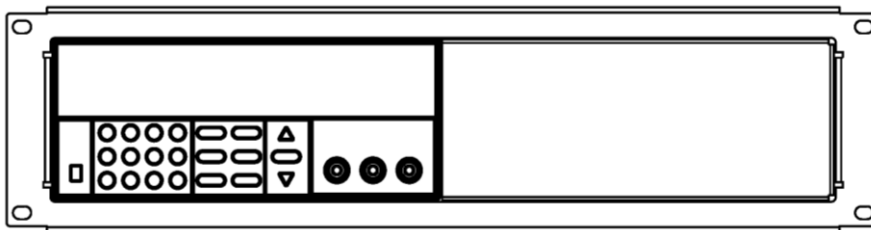
Warning

These instructions are for qualified personnel only. To avoid personal injury, do not assemble or install this rack mount unless you are qualified to do so.

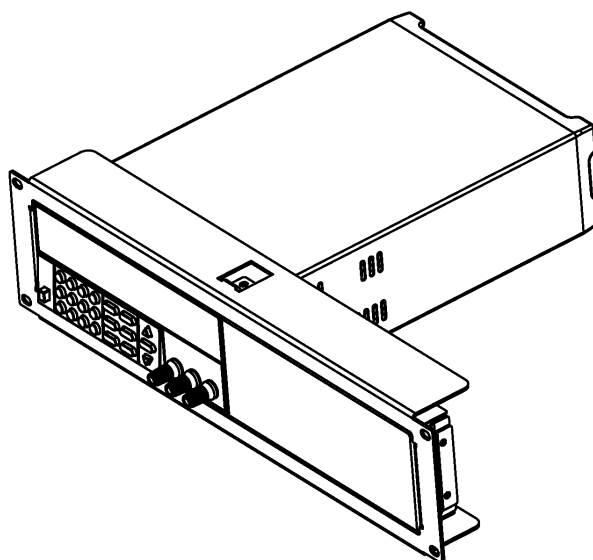
To Rack Mount the Instrument

You can mount the power supply in a standard 19-inch rack cabinet using the IT-E151 rack mount kit.

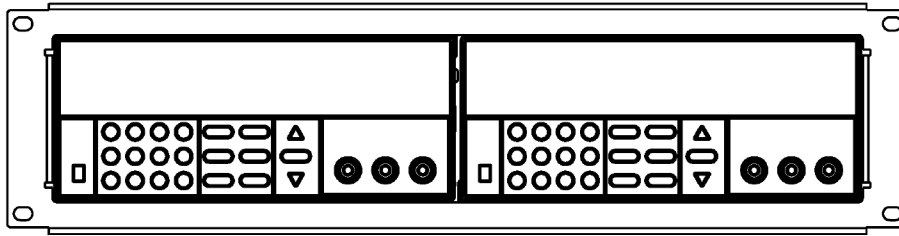
Note: Remove the carrying handle and the two plastic ears before rack-mounting the instrument. To remove the handle, grasp the handle by sides and pull outwards and rotate it to a special position to let the arrow on the handle and the arrow on the plastic ears be in opposite directions, then pull the handle outward. After removing the handle, you can use a screwdriver to remove the two plastic ears.



To rack mount a single instrument, order rack mount kit IT-E151

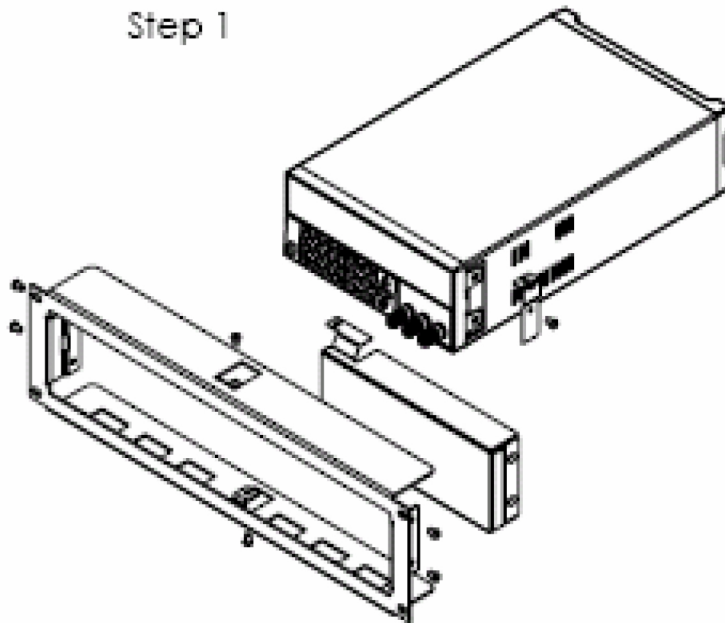


Side view of rack mounting a single instrument

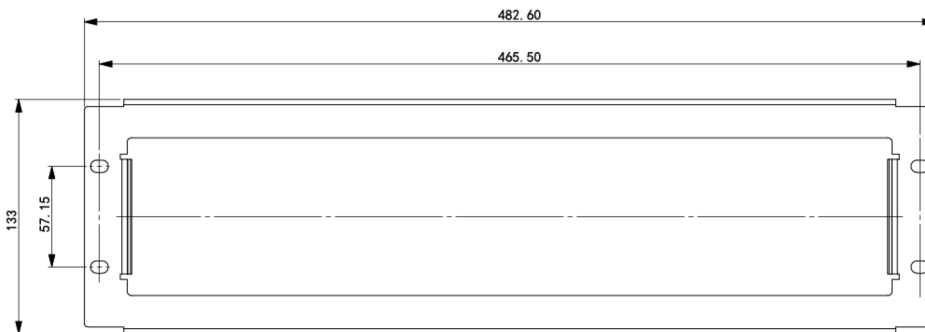


To rack mount two instruments side-by-side, order rack mount kit IT-E151. You do not need to use the front cover panel.

Step 1



unit:mm



BK PRECISION®